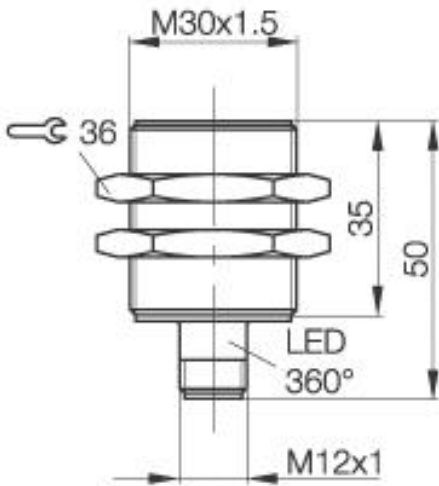


**Inductive Sensors**  
**BES M30MF-USC15B-S04K**  
**M30x1.5 x 50**  
**normally-open**  
**Sn=15mm**  
**shielded**



**Common Data**

Mounting in steel	shielded
Rated operating distance Sn	15mm
Assured operating distance Sa	0...12,2mm
Repeatability R	≤ 5%
Hysteresis	≤ 15%
Function indication	yes
Ambient temperature range	-25...+70°C
Pollution Degree	3
Time delay before availability	≤ 50ms

**Mechanical Data**

Measurements BxHxT or DxT	M30x1.5 x 50mm
Housing material	CuZn, Nickel-free plated
Material of sensing face	PA 12
Degree of protection	IP67IP
Connection	Connector S4 (M12)
Schock: Halbsinus, 30 gn, 11ms	
Vibration: 55 Hz, 1mm Amplitude, 3 x 30 Minutes	

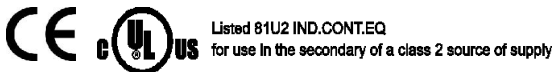
**Electrical Data**

Current type	DC
Wiring	2-Wire
switching function	normally-open
Rated operational voltage	24 DCV
Rated operational current	100mA
Supply voltage	10...30 DCV
Ripple	≤ 15%
max. switching frequency	400Hz
Minimum operational current	5mA
Off-state current	≤600µA
Voltage drop	≤ 5V
Short circuit protection	yes
Protected against polarity reversal	yes

**Remarks**

Mounting Instructions 825357

PX2075



Utilization categories DC 13  
 Insulation class

Datasheet number:

Definitions see general catalog.  
 If not otherwise noted, ratings according to IEC 60947-5-2 (DIN EN60947-5-2)

Balluff GmbH  
 Schurwaldstrasse 9  
 73765 Neuhausen a.d.F.  
 Phone (07158) 173-0 Fax (07158) 5010

Datenblatt by CD-ROM - 04/2007

